



# CRYSTAL

RENTAL INDOOR FINE PITCH LED DISPLAY





## OVERVIEW

Although the CRYSTAL is designed for rental purposes, it can also fit permanent indoor installations. With a pixel pitch ranging from P1.8 to P3.9 and many user friendly features, the CRY-

TAL offers a great visual experience and an easy integration and dismantlement process. It also allows curves, and we can provide you with cabinets specially beveled to fit 90° applications.



APPLICATION  
**Indoor**



BRIGHTNESS  
**≤ 1500 NITS (LED TYPE SMD)**



INGRESS PROTECTION  
**IP41**



WEIGHT  
**8.5 kg/cabinet**



PIXEL PITCH  
**P1.8 P2.6 P2.9 P3.9**



MATERIAL  
**Die-casting aluminum**



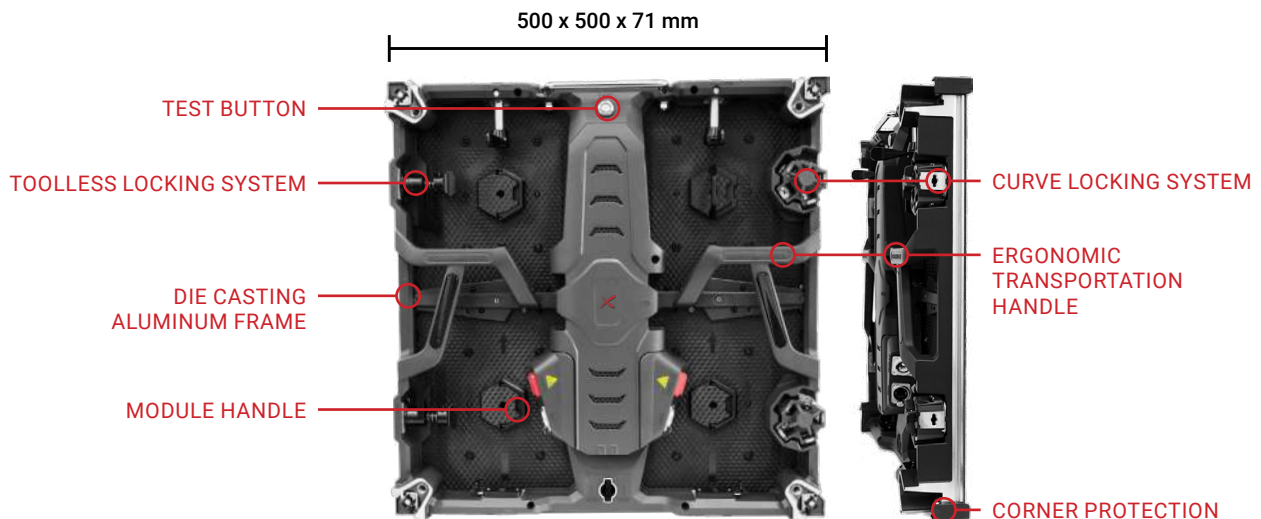
DISPLAY AREA (W x H)  
**500 x 500 mm**



MAINTENANCE  
**Front & back maintenance**



## FEATURES



## MINILED 4IN1

The P1.8 CRYSTAL cabinet uses the MINILED 4in1 technology, where four LEDs are encapsulated in one, adding both resistance and display quality to your LED screen. It also allows you to repair just one LED instead of replacing the whole module using a tool designed for this purpose.

### INTEGRATED CURVE LOCKING SYSTEM



### A SINGLE LED CAN BE REPAIRED WITHOUT REPLACING THE MODULE



### TOOLLESS LOCKING SYSTEM FOR AN EASY INTEGRATION



## NUMEROUS POSSIBLE APPLICATIONS

The CRYSTAL is designed to fit custom application projects, allowing curves, angles and supporting different integration methods such as hanging, floor stacking and more. The same cabinets

can be used for many different projects, making the CRYSTAL LED a profitable investment for anyone who's involved in the event industry.



## PERFECT RENTAL SOLUTION

With toolless cabinet locking systems, curve locking systems, corner protections and an intelligent front or back access systems, the CRYSTAL is meant to be quick and easy to integrate, to disassemble and to maintain. One technician is enough for both these processes, making this product an ideal touring solution.





## TECHNICAL SPECIFICATIONS

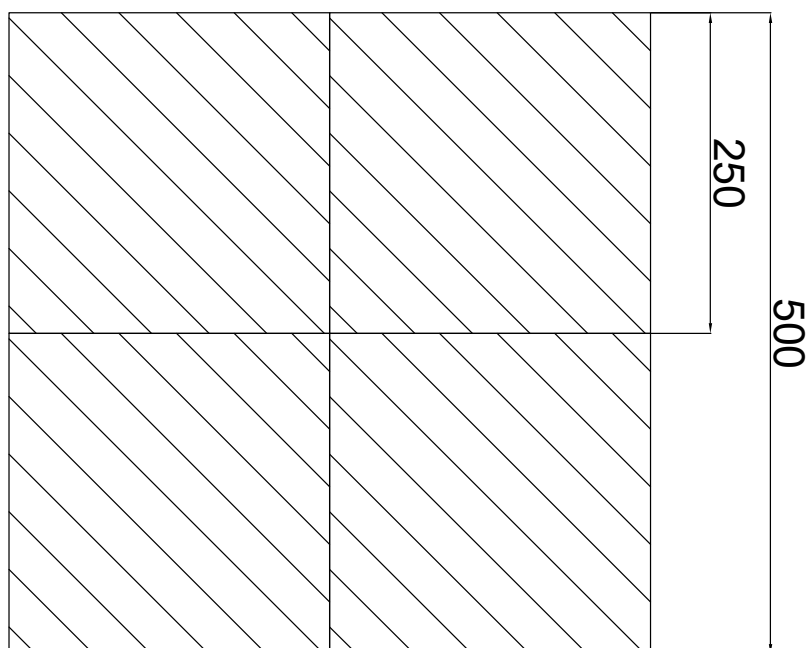
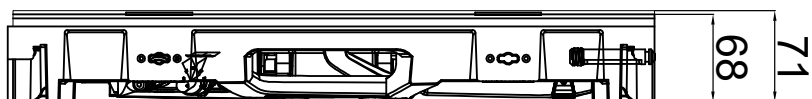
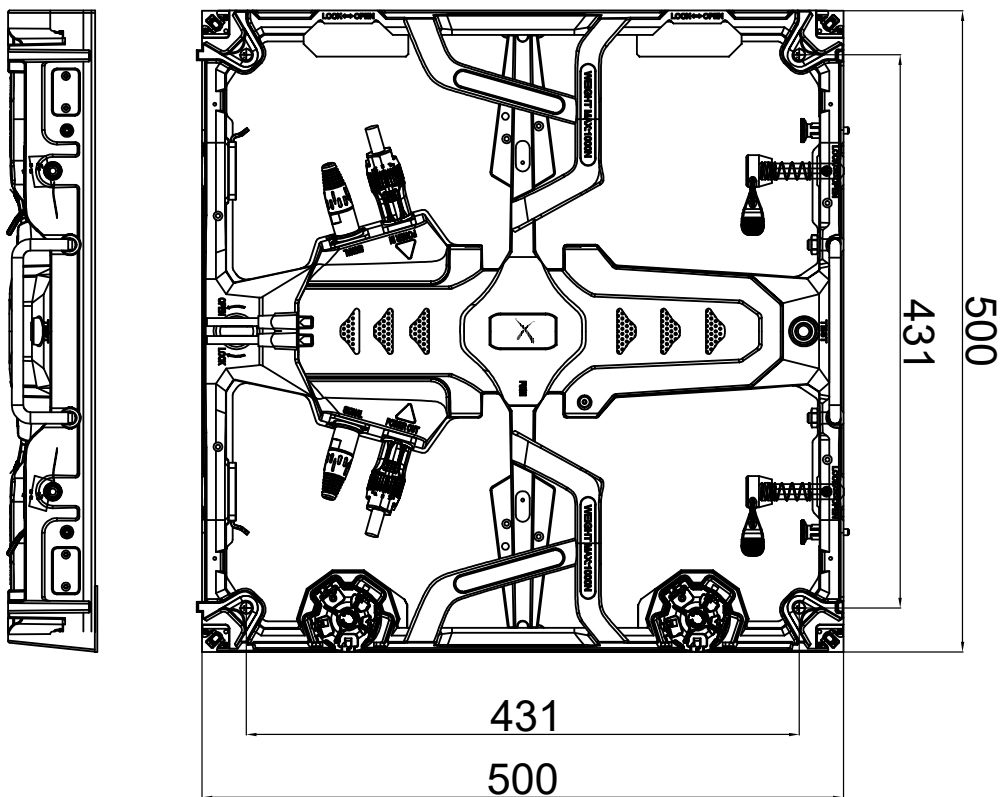
Product Parameters	Unit	INDOOR			
		1.8	2.6	2.9	3.9
Pixel Pitch	mm	1,89	2,60	2,98	3,91
LED		MiniLED 4in1	SMD2020 Full Black Face	SMD2020 Full Black Face	SMD2020 Full Black Face
Application		Fine pitch rental application			
Ingress Protection	IP	IP41			
Brightness	cd/sqm	≤ 1000Nits @5volts	≤ 1500 Nits @5volts		
Color Temperature after calib (adjustable)	deg. K	6500			
Viewing Angle (50% brightness)	deg.	140(+/-70) H / 140 V			
Cabinet Size (WxHxD)	mm	500 x 500 x 71			
Display area (WxH)	mm	500 x 500			
Module Size (WxHxD)	mm	250 x 250 x 15			
Pixel Matrix Per Cabinet (WxH)	px	264 x 264	192 x 192	168 x 168	128 x 128
Pixel Matrix Per Module (WxH)	px	132 x 132	96 x 96	84 x 84	64 x 64
Pixel Density	px/sqm	278784	147456	112896	65536
Weight of cabinet and modules	kg	8.5			
Cabinet Material		Die-casting aluminum			
Maintenance Mode		Front & back			
Mask specification		95% Plastic + 5% Fiber / Clip type (no screws) / No Shaders			
Contrast Ratio		High			
Grey scale (linear)	bit	16			
Brightness control	bit	16			
Processing depth	bit	16			
Color		281 Trillions			
Display Refresh Rate	Hz	3840			
Operation Power	V	AC85-230V			
Max. Power Consumption	W/sqm	800			
Average Power Consumption	W/sqm	320			
Control Mode		Synchronization			
Video Frame Rate	Hz	50/60Hz			
Input Types Supported		DVI / SDI / HDMI			
3D ready (optional)		Yes			
Calibration		Yes			
Lifetime (50% brightness)	h	50000			
Operating Humidity Range		10-95%			
Operating Temperature Range		-10°C / +50°C			
Screen Uniformity Correction		Below 0.0001 (Out of Control point)			
Certification		CE / ETL / CCC			
Features		Corner protection			
Compatibility					



Information and design in this leaflet are subject to Artixium France SAS copyright. No material from this leaflet can be used in any context without ARTIXIUM approval. Designs and specifications are subject to change without notice. All images of ARTIXIUM products components and accessories used here are also subject to change without notice. All information presented herein is based on the latest information at the time of publishing. Actual results of performance and other specifications may differ or vary with production models and may depend on selected options and model ranks.



## TECHNICAL DRAWINGS





# CONTACT

The Artixium regional branches are the key for the growth and development of our global network all over the world. Artixium's team is a spectrum of different nationalities and cultures, reflecting their global presence and mindset, mak-

ing their communication smooth and hassle-free with clients from all around the world. Customer care, Innovation and flexibility has always been our values and we intend to keep this reputation for many years to come.

## ARTIXIUM FRANCHISES

*"From your project's conception to its completion."*



112 Avenue Franklin Roosevelt  
69120 Vaulx-en-Velin  
France



Artixium Operational Center  
518000 Shenzhen  
China




Weissensteinstrasse 90b,  
46149 Oberhausen  
Germany




Merkez Mah. Baglar Cad. A  
Blok Apt. No: 14D/13 Kagithane, Istanbul  
Turkey



 [www.artixium.com](http://www.artixium.com)

 0 428 001 801

 [linkedin.com/company/artixium](https://www.linkedin.com/company/artixium)

 [twitter.com/artixium](https://twitter.com/artixium)

 [contact@artixium.com](mailto:contact@artixium.com)

 [youtube.com/@artixium](https://www.youtube.com/@artixium)

 [facebook.com/artixium](https://www.facebook.com/artixium)

 [instagram.com/artixium](https://www.instagram.com/artixium)



Since its creation in 2012 by two european entrepreneurs, Artixium has been evolving and always looking for innovative ways to contribute to the digital transition of our world. It only took a few years for Artixium to become a key player in the LED display industry.

---

[www.artixium.com](http://www.artixium.com)